

CODE NUMBER

3918330

DESCRIPTION

1.6 gpf, Polished Chrome Finish, Rear Spud, Single Flush, Electrical Override, Hardwired, Solenoid-Operated, Front Accessible Wall Box, Royal® Concealed Sensor Hardwired Water Closet Flushometer.

DETAILS

- Flush Volume: 1.6 gpf (6.0 Lpf)
- Finish: Polished Chrome (CP)
- Power Type: Hardwired (HW)
- Valve: Diaphragm
- Valve Body Material: Semi-red Brass
- Fixture Type: Water Closet
- Fixture Connection: Rear Spud
- Rough-In Dimension: 14 ½" (368mm)
- Spud Coupling: 1 ½" (38mm)
- Supply Pipe: 1" (25mm)
- Override: Electrical (OR)
- Wall Box: Front Accessible

FEATURES

- PERMEX™ Synthetic Rubber Diaphragm with Dual Filtered Fixed Bypass
- OPTIMA. EL-1500-L Self-Adaptive Infrared Sensor with Indicator Light
- Courtesy Flush™ Override Button
- Non-Hold-Open Integral Solenoid Operator
- 13" x 17" EASY ACCESS. Wall Box with Stainless Steel Access Panel and
- Vandal Resistant Screws
- 1" I.P.S. Wheel Handle Bak-Chek. Angle Stop
- Adjustable Tailpiece
- High Back Pressure Vacuum Breaker
- Elbow Flush Connection and Coupling for 1." NPT Back Inlet (for connection in the pipe chase — flush connection through the wall not provided by Sloan)
- Sweat Solder Adapter
- High Copper, Low Zinc Brass Castings for Dezincification Resistance
- Non-Hold-Open Integral Solenoid Operator, Fixed Metering Bypass and No
- External Volume Adjustment to Ensure Water Conservation
- Flush Accuracy Controlled by CID™ Technology
- Diaphragm, Stop Seat and Vacuum Breaker molded from PERMEX™ Rubber
- Compound for Chloramine Resistance

VIDEOS

- ▶ [ESS Flushometer](#)



COMPLIANCES & CERTIFICATIONS



(UL Certified, ADA Compliant, BAA Compliant, cUPC Certified)

RECOMMENDED SPECIFICATION

Valve Body, Cover, Tailpiece and Control Stop shall be in conformance with ASTM Alloy Classification for Semi- Red Brass. Valve shall be in compliance with the applicable sections of ASSE 1037 and ANSI/ASME 112.19.2.

ELECTRICAL SPECIFICATIONS

- Arming Delay: 16 seconds
- Control Circuit: 24 VAC Input/24 VAC Output/Solid State
- Flush Delay: 3s
- Self-Adaptive Window: ±10
- Sensor Range: 22"-42" (559-1,067mm)
- Solenoid Operator: 24 VAC
- Transformers:
 - 0345154
 - 0345999

VALVE OPERATING PRESSURE (FLOWING)

15-80 PSI (103-552 kPa). Specific fixtures may require greater minimum flowing pressure - consult manufacturer requirements.

DOWNLOADS

- [Control Stop Repair and Maintenance Guide](#)
- [Flush Connections Flanges Repair and Maintenance Guide](#)
- [Tail Piece Repair and Maintenance Guide](#)
- [Optima ESS Repair and Maintenance Guide](#)
- [Additional Downloads](#)

NOTES

All information contained within this document subject to change without notice.

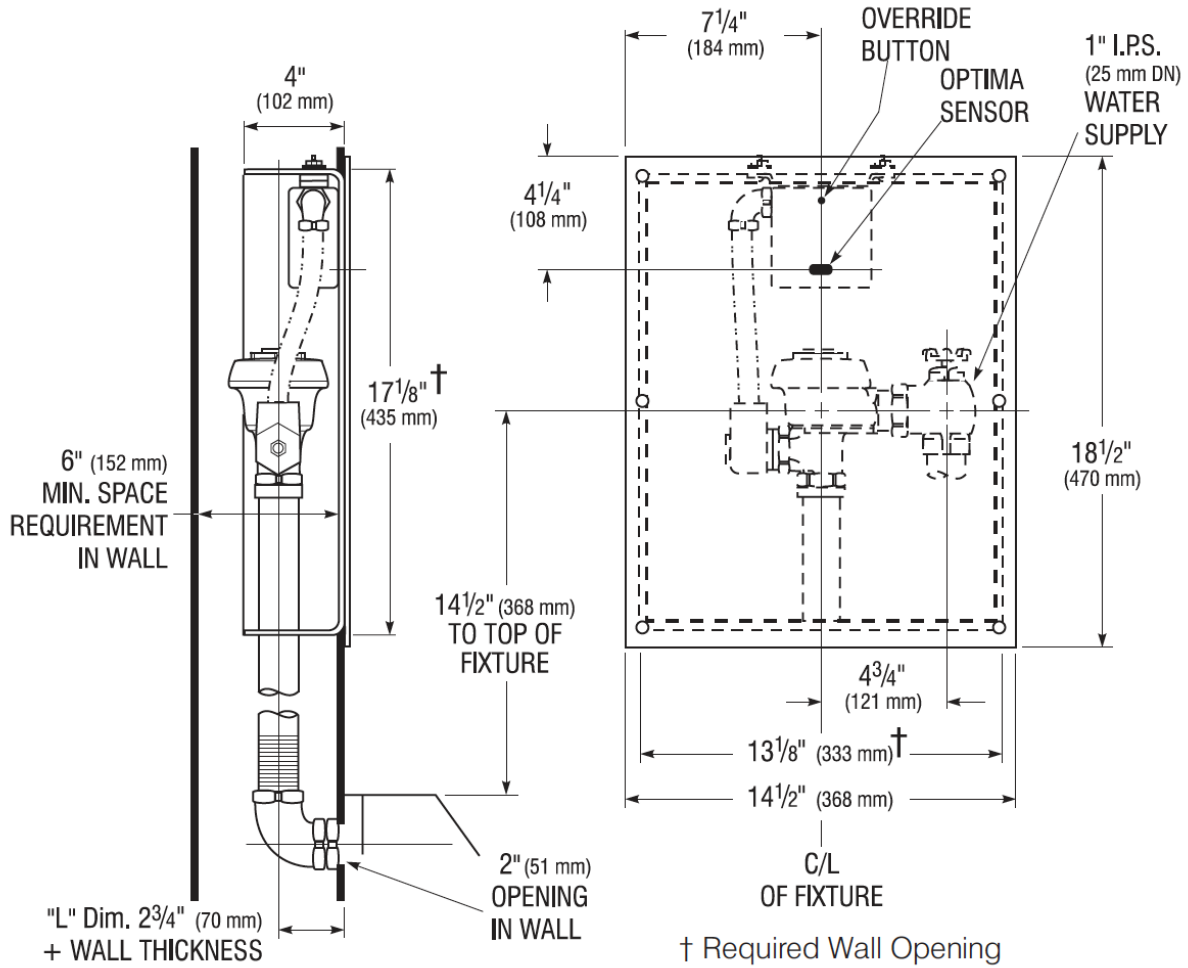
Looking for other variations of the ROYAL 611 ESS WB product?
[View the general spec sheet with all options.](#)

Sloan 10500 Seymour Ave, Franklin Park, IL 60131

Phone: 800.982.5839 • Fax: 800.447.8329 • sloan.com

Find a compatible urinal for this flushometer.
Find a compatible water closet for this flushometer.

ROUGH-IN



Sloan 10500 Seymour Ave, Franklin Park, IL 60131
Phone: 800.982.5839 • Fax: 800.447.8329 • sloan.com